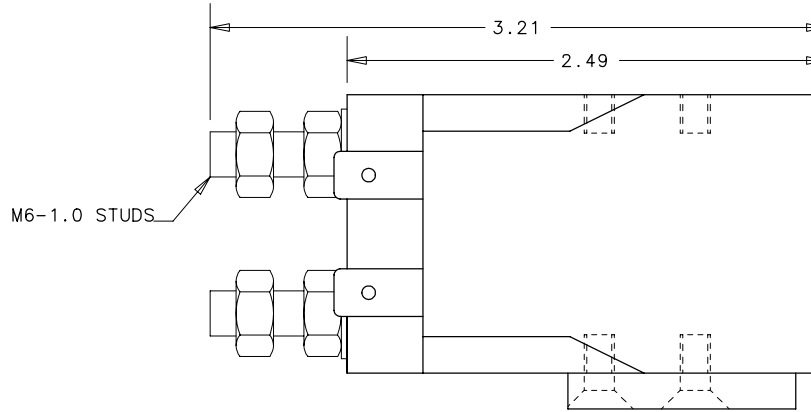
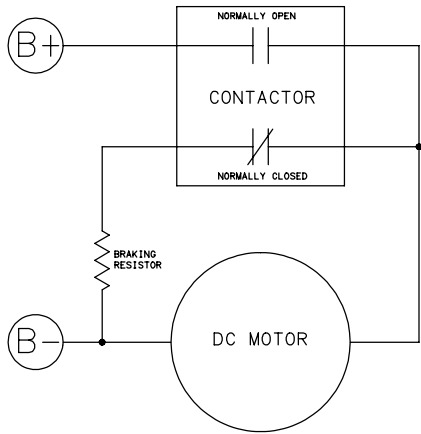


Scale FULL	Dr By TSE	TEAM WHYACHI ROBOTICS	814 E. FIRST AVE. DORCHESTER, WI.	A	C1	OF	A
Date 5-26-2003	Chk By			SIZE			REV.
THIS DRAWING AND ALL INFORMATION PRESENTED IS THE PROPERTY OF TEAM WHYACHI LLC AND IS STRICTLY CONFIDENTIAL. IT SHALL NOT BE COPIED, REPRODUCED OR REVEALED WITHOUT WRITTEN CONSENT. THIS DRAWING MUST BE RETURNED UPON REQUEST.			TOLERANCE (EXCEPT AS NOTED) 0 _____ .032 .00 _____ .015 .000 _____ .005	TITLE: C1 CONTACTOR			
			QTY.	DESCRIPTION SPDT 24 VDC COIL		TWR IDENTIFICATION NO.	

SAMPLE BRAKING CIRCUIT



C-1 SPECIFICATIONS

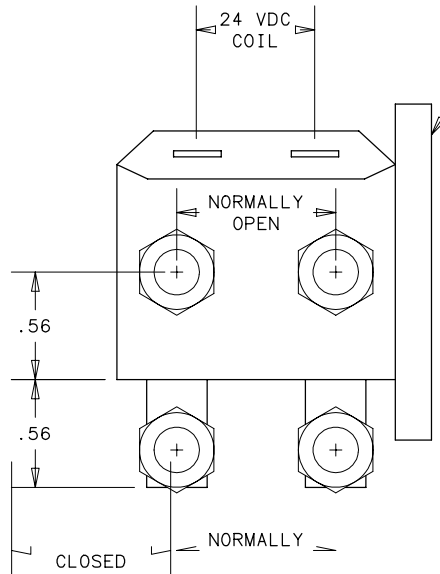
SILVER ALLOY CONTACTS
SPDT TYPE
24 VDC COIL

48 VDC CONTACT CURRENT RATINGS

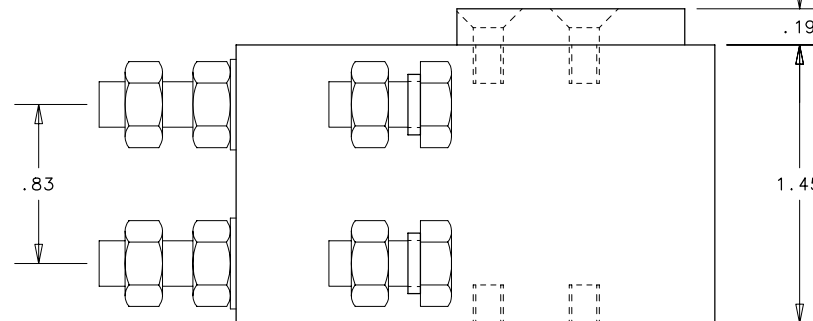
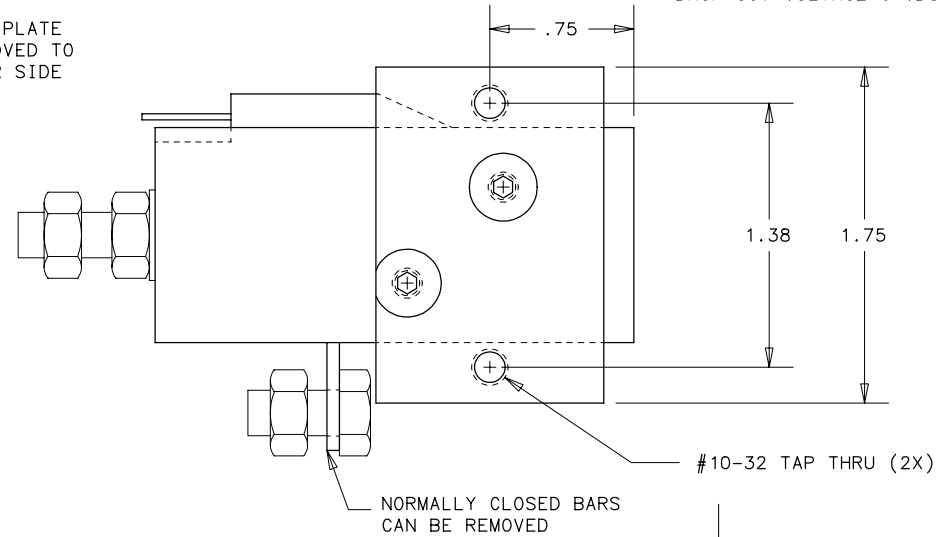
CONTINUOUS 80 A
3 MIN. 240 A
25 SEC. 500 A

COIL ACTUATION

COIL AMPERAGE 0.5 A
PULL IN TIME 15 ms
DROP OUT VOLTAGE 6 VDC



MOUNTING PLATE
CAN BE MOVED TO
THE OTHER SIDE



NOTE: THE M4 TAPPED MOUNTING HOLES ON THE SIDE OF THE CONTACTOR ARE ONLY .20" DEEP.
IF A LONGER MOUNTING SCREW IS USED, IT MAY SHORT OUT ON THE COIL.