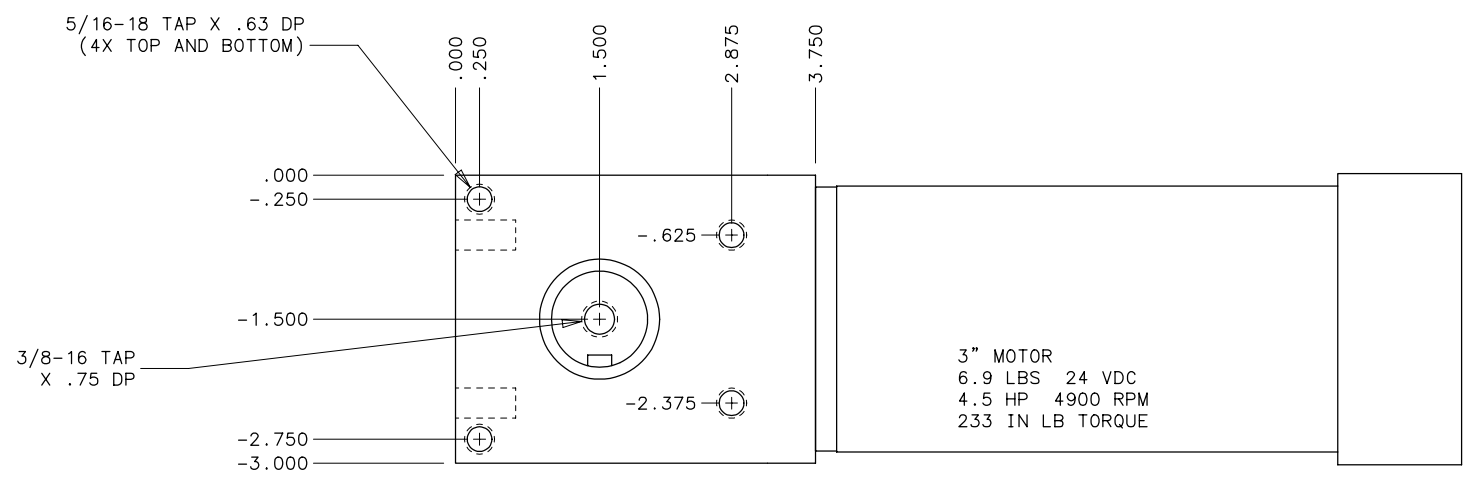


Scale HALF	Dr By TSE	TEAM WHYACHI ROBOTICS	814 E. FIRST AVE. DORCHESTER, WI.	A	TWM3R	OF	A
Date 7-30-2002	Chk By			SIZE			REV.
THIS DRAWING AND ALL INFORMATION PRESENTED IS THE PROPERTY OF TEAM WHYACHI LLC AND IS STRICTLY CONFIDENTIAL. IT SHALL NOT BE COPIED, REPRODUCED OR REVEALED WITHOUT WRITTEN CONSENT. THIS DRAWING MUST BE RETURNED UPON REQUEST.			TOLERANCE (EXCEPT AS NOTED) .0 — .032 .00 — .015 .000 — .005		TITLE: 90° GEARBOX, 3" MOTOR		
			FOR:		2:1 RATIO		
QTY.		DESCRIPTION			TWR IDENTIFICATION NO.		



TWM3R GEARBOX SPECS

RATIO	2:1
OUTPUT RPM	2450
WEIGHT	4 LBS
GEARS	HARDENED STEEL SPIRAL BEVEL
BEARINGS	R24 SHAFT SIDE, R12 LOWER SIDE
BOX MATERIAL	FORTAL ALUMINUM
SHAFT MATERIAL	6-4 TITANIUM
ALLOWABLE OUTPUT TORQUE	466 IN-LB

