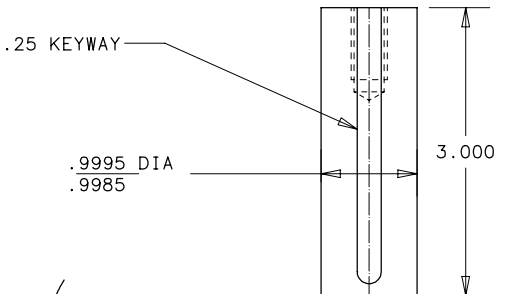
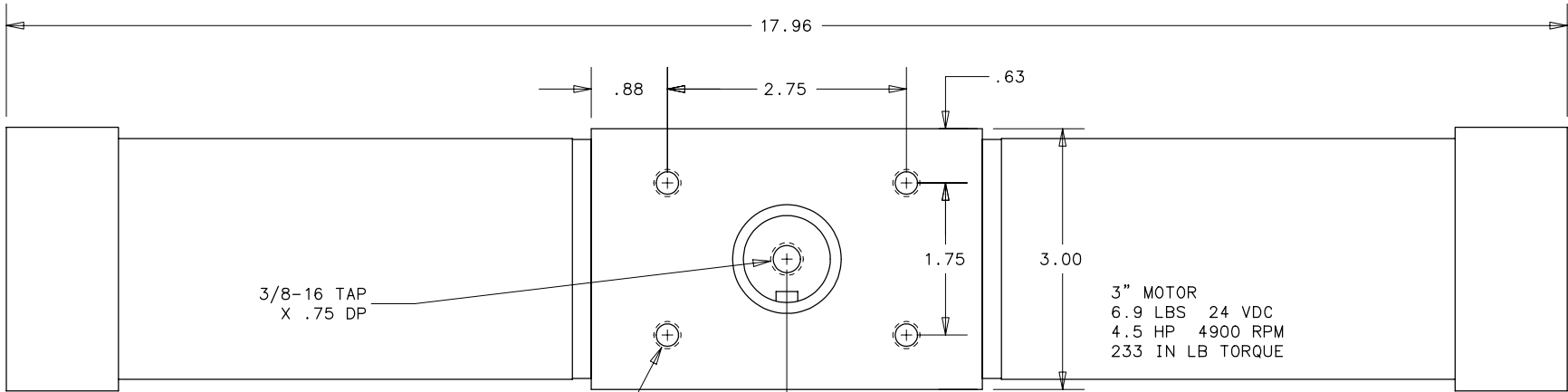


Scale HALF	Dr By TSE	TEAM WHYACHI ROBOTICS	814 E. FIRST AVE. DORCHESTER, WI.	A	TWM3R2	OF	A
Date 8-26-2002	Chk By			SIZE			REV.
THIS DRAWING AND ALL INFORMATION PRESENTED IS THE PROPERTY OF TEAM WHYACHI LLC AND IS STRICTLY CONFIDENTIAL. IT SHALL NOT BE COPIED, REPRODUCED OR REVEALED WITHOUT WRITTEN CONSENT. THIS DRAWING MUST BE RETURNED UPON REQUEST.			TOLERANCE (EXCEPT AS NOTED) .0 _____ .032 .00 _____ .015 .000 _____ .005		TITLE: 90° GEARBOX, DOUBLE 3" MOTOR		
			FOR: 2:1 RATIO		DESCRIPTION		
			QTY.		TWR IDENTIFICATION NO.		



TWM3R2 GEARBOX SPECS

RATIO	2:1
OUTPUT RPM	2450
WEIGHT	5 LBS
GEARS	HARDENED STEEL SPIRAL BEVEL
BEARINGS	R24 SHAFT SIDE, R12 LOWER SIDE
BOX MATERIAL	FORTAL ALUMINUM
SHAFT MATERIAL	6-4 TITANIUM
ALLOWABLE OUTPUT TORQUE	932 IN-LB

